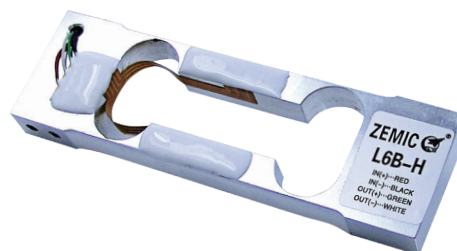


# L6B

- Aluminium-alloy IP65 single point load cell.
- Colourless anodized
- Suitable for pricing scales, bench scales, etc.
- Recommended platform size: 200 x 200mm



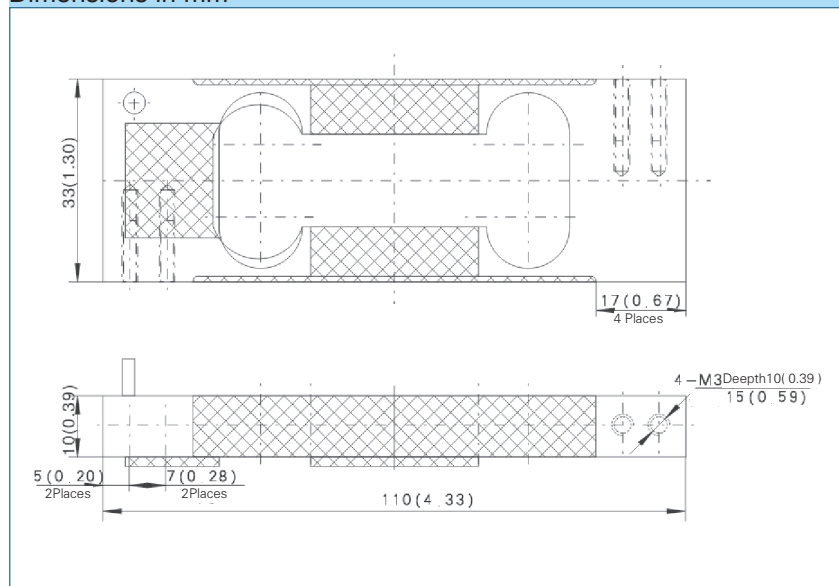
## Available models

Capacity	Accuracy	Full article description
0.3 kg	L/H	L6B-L/H-0.3kg-0.4B
0.6 kg	L/H	L6B-L/H-0.6kg-0.4B
1.0 kg	L/H	L6B-L/H-1.0kg-0.4B
1.2 kg	L/H	L6B-L/H-1.2kg-0.4B
1.5 kg	L/H	L6B-L/H-1.5kg-0.4B
3.0 kg	L/H	L6B-L/H-3.0kg-0.4B

## Specification

Accuracy class		L	H
Output sensitivity ( = FS )	mV/V	0.9 ± 0.1	
Maximum capacity ( E <sub>max</sub> )	kg	0.3, 0.6, 1.0, 1.2, 1.5, 3	
Linearity	%FS	± 0.015	± 0.012
Hysteresis	%FS	± 0.015	± 0.012
Repeatability	%FS	± 0.015	± 0.012
Temperature effect on Minimum dead load output	%FS/10°C	± 0.030	± 0.020
Temperature effect on output	%FS/10°C	± 0.030	± 0.020
Combined error	%FS	± 0.010	± 0.005
Eccentric loading error	%FS	± 0.0200	
Minimum dead load	Of E <sub>max</sub>	0%	
Safe overload	of E <sub>max</sub>	120 %	
Ultimate overload	of E <sub>max</sub>	150 %	
Zero balance	%FS	± 2.0	
Excitation, recommended voltage	V	5 ~ 12 (DC)	
Excitation maximum	V	18 (DC)	
Input resistance	Ω	406 ± 6	
Output resistance	Ω	350 ± 3	
Insulation resistance	MΩ	≥ 5000 ( 50VDC )	
Compensated temperature	°C	-10 ~ +40	
Operating temperature	°C	-20 ~ +50	
Storage temperature	°C	-35 ~ +65	
Element material		Aluminium	
Recommended torque on fixation	N.m	5	
Ingress protection (according to EN 60529)		IP65	

## Dimensions in mm



## Wiring

